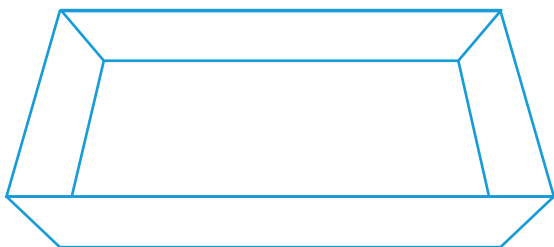




You will need:



The basket



Glue



Pencil



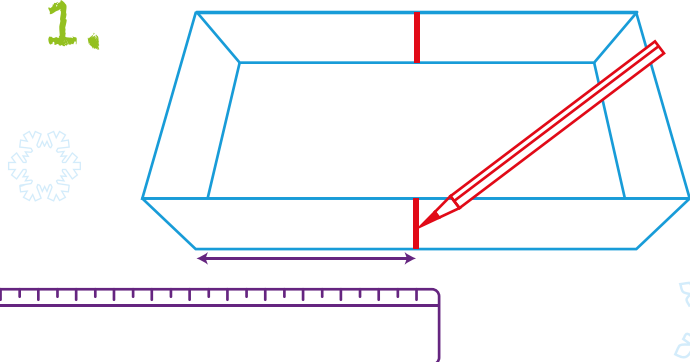
Scissors



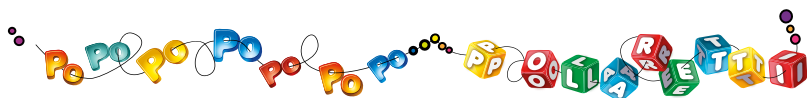
Ruler

Instructions to create a Polarella chest

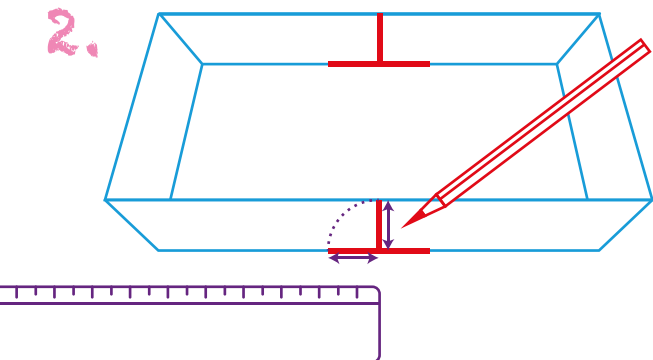
1.



Using your pencil, draw a line at the centre of the longer sides of the basket.



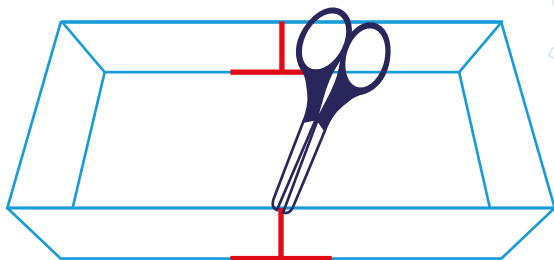
2.



At the base of one of those vertical lines, draw two more horizontal lines of the same size, one to the right and one to the left. All three lines should have the same size.

Repeat this procedure on the remaining long side of the basket.

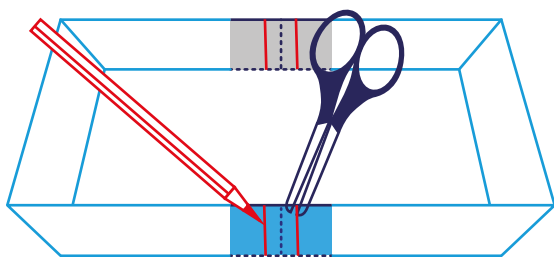
3.



With the help of an adult, use the scissors to cut the basket following the lines you have just drawn and create flaps.



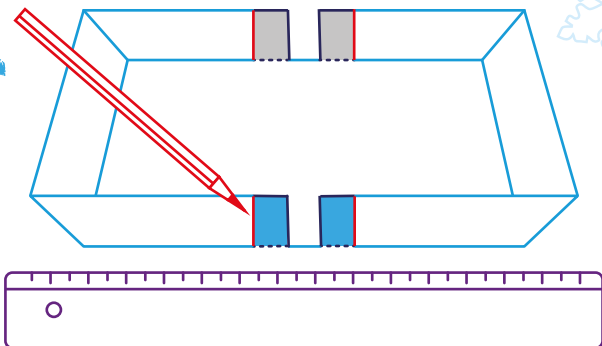
4.



Make all flaps 1cm shorter, as shown in the picture. To do this, measure the flap with your ruler and pencil and cut it.



5.

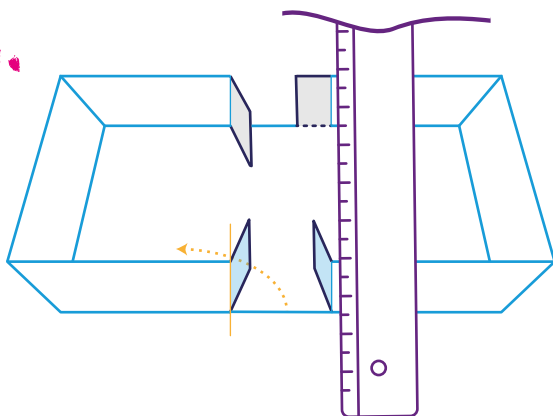


Using your pencil, draw a line on the internal side of the flaps.

These lines show where you have to fold.



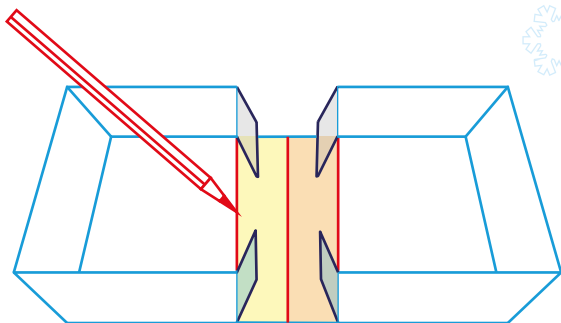
6.



With the help of your ruler, fold in the flaps.



7.



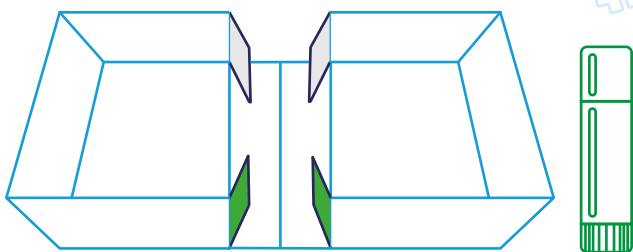
Using your pencil, draw the three red lines you see in the picture.

They show the place where you have to fold.

Fold along the three lines you have drawn: the yellow area will become the back of the left part of the chest and the orange area will become the back of the right part of the chest.



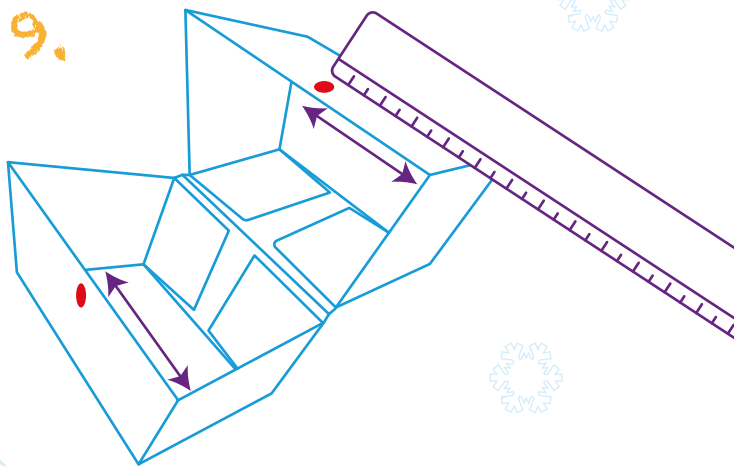
8.



Put some glue on the external sides of the flaps. You can use a glue stick.

You can ask an adult for help if you want to use a faster adhesive.

9.

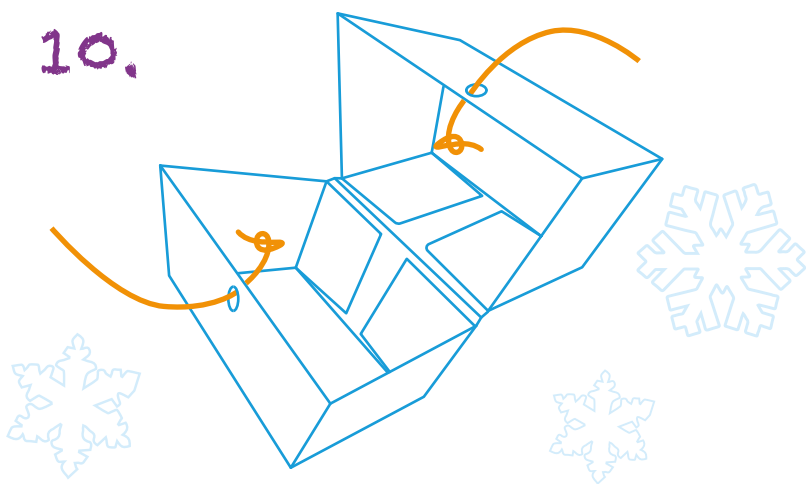


Close the chest and make two holes to place the laces, as shown in the picture.

To make the holes you can use your pencil or ask an adult for help and use your scissors.



10.



Pass the laces through the holes and make a knot in the internal part of the chest, as you can see in the picture.

5.



Your chest is finished!

You can paint it with tempera or acrylics to make it look special, or simply start using it right away and fill it with your little treasures!

POLARETTI

